

CLARIFICATION 01

September 10, 2021

Renovations For:

Unit 4 Lebanon Housing Authority
Development TN017 Head Homes

To: Prime contractors and all others to whom drawings and specifications have been issued. This Addendum forms part of the Contract Documents. It supplements and modifies them as follows:

A. Clarifications:

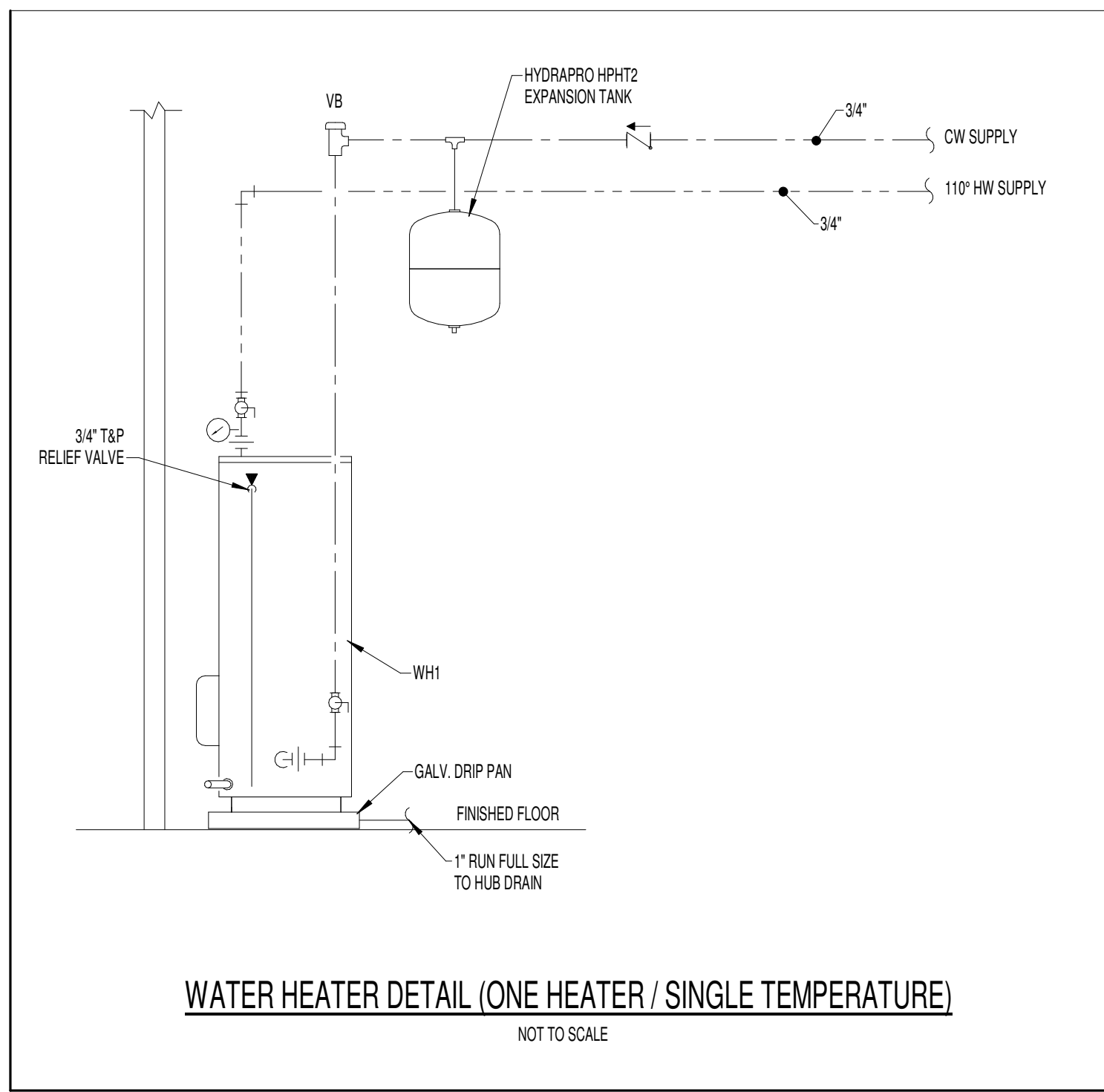
1. There is Lead Paint in the ceramic tiled windowsills. This will need to be abated.
2. There is asbestos in the ceiling joint compound tape. This will need to be abated.
3. Plumbing fixtures on sheet P0.1 have been revised to match the fixtures used on Unit 5.
4. The second bathroom has been revised to reflect a 48" shower rather than a tub. See sheet P1.1.

B. Drawings:

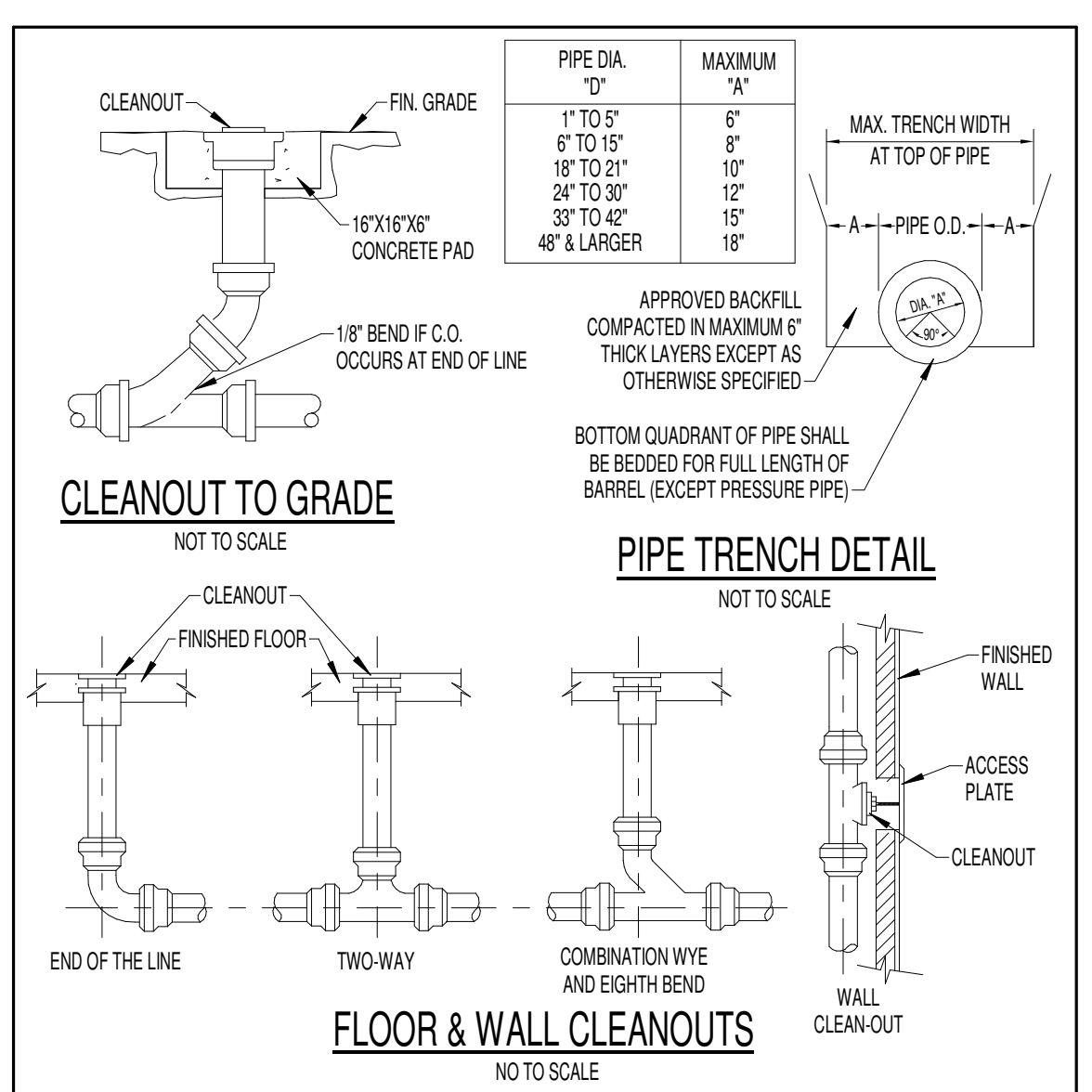
1. P0.1 – Plumbing Notes & Legends – Rev01
2. P1.1 – Plumbing Plans – Rev01

C. Attachments:

1. P0.1 – Plumbing Notes & Legends – Rev01 – 1 page
2. P1.1 – Plumbing Plans – Rev01 – 1 page



PLUMBING FIXTURE SCHEDULE					
DESIGNATION	FIXTURE TYPE	MANUFACTURER	MODEL#	DESCRIPTION	NOTES
GCO	CLEANOUT	ZURN	Z1400	DURA-COAT CAST IRON ADJUSTABLE CLEANOUT WITH HEAVY DUTY CAST IRON TOP	
HDI	HUB DRAIN CONNECTION SIZES	PROSET SYSTEM	TG23HD	2" x 1/2" HUB DRAIN W/ TRAP GUARD WASTE 2" VENT 1/2"	
WCI	WATER CLOSET SEAT SUPPLY CONNECTION SIZES	KOHLER DURCH	K-5887 5402C	CHROME/NO. COFFERT HEIGHT ADA, TWO-PIECE ROUND FRONT, FLOOR MOUNTED, 1/8" OFF WATER CLOSET, WHITE, ROUND WHITE ENAMELED WOOD CLOSED FRONT TOILET SEAT, W/ COVER AND "EASY CLEAN" PLASTIC HINGES, 1/2" X 3/8" SUPPLY KIT COMPLETE WITH QUARTER TURN STOP, CHROME PLATED COPPER TUBE SUPPLY AND ESCUTCHEON OR 1/2" WASTE 1/2" VENT 1/2"	
LI ADA	LAVATORY FAUCET CONNECTION SIZES	ZURN MOEN SYMMONS ZURN	Z514 84603 8200X Z8700-PC Z880A-NL-LR-LK-PC	DUAL, 3/20" x 1/2" VITREOUS CHINA DROP IN LAVATORY, MOEN "HOLD" 1/2" "CONTOUR" 2 HANDLE LOW-ARC BATHROOM FAUCET INCLUDES METAL POP-UP DRAIN ASSEMBLY MAINE 1/8" THERMOSTATIC ASSE 1/2"/20" MIXING VALVE 1/2" CAST BRASS TEE P-TRAP WITH CLEANOUT 1/2" x 3/8" COPP X COPP LAVATORY SUPPLY KIT WITH ESCUTCHEONS, 1/4" TURN CHROME PLATED STOPS AND CHROME PLATED COPPER TUBE SUPPLY LINES ON 1/2" W/ 1/2" WASTE 1/2" VENT 1/2"	
KSI	SINK FAUCET CONNECTION SIZES	ELKAY MOEN ZURN ZURN	LK332 8723 Z874-PC Z8700-PC Z875	LIFETIME CLASSIC STAINLESS STEEL, 13" x 22" x 8-1/2" EQUAL DOUBLE BOWL, TOP MOUNT SINK ADLER 1.5 GPM SINGLE HOLE PULL DOWN KITCHEN FAUCET HEAVY DUTY BASKET STRAINER WITH CAST BRASS LOCK AND COUPLING NUT 1/2" CAST BRASS TEE P-TRAP WITH CLEANOUT 1/2" x 3/8" COPP X COPP LAVATORY SUPPLY KIT WITH ESCUTCHEONS, 1/4" TURN CHROME PLATED STOPS AND CHROME PLATED COPPER TUBE SUPPLY LINES ON 1/2" W/ 1/2" WASTE 1/2" VENT 1/2"	
TI	TUB TUB - SHOWER VALVE CONNECTION SIZES	KOHLER SYMMONS ZURN	K-716-01K-716-0 960-PLR-A Z871-RB	VILLAGER, 40" x 30" ALCOVE BATH (LEFT DRAIN K-716-0) / RIGHT DRAIN K-716-0) DRAINS TUB-SHOWER SYSTEM W/ TEMP/ROL PRESSURE BALANCING VALVE, METAL LEVER HANDLE, ADJUSTABLE STOP SCREW, LIMIT HANDLE, TURN, EASY CLEAN SHOWER HEAD AND SUPPLY SCREWDRIVER STOPS CAST BRASS 1/2" GA. TRIP LEVER STYLE DRAIN W/ BRASS NUTS ON 1/2" W/ 1/2" WASTE 1/2" VENT 1/2" REFER TO HOCH FOR TUB KIT WALLS	
SHI	SHOWER DRAIN CONNECTION SIZES	ZURN SYMMONS	F30-PV2 960-PLR-A	FULL METAL TOP 2"x3" PVC OR ABS SHOWER DRAIN, DRAINS SHOWER SYSTEM W/ TEMP/ROL PRESSURE BALANCING VALVE, METAL LEVER HANDLE, ADJUSTABLE STOP SCREW, LIMIT HANDLE, TURN, EASY CLEAN SHOWER HEAD AND SUPPLY SCREWDRIVER STOPS PROVIDE W/ FULL SIZE P-TRAP WASTE 2" VENT 1/2", HOCW 1/2"	
EH	WALL HYDRANT CONNECTION SIZES	ZURN	Z130	FREEZE PROOF, LOOSE KEY STYLE WITH ENCLOSED KEY BOX HOSE BIBB WITH INTEGRAL VACUUM BREAKER ON 3/4"	
IBI	ICE MAKER BOX CONNECTION SIZE	DATEY	1956	6"x4" ICE MAKER BOX, HIGH IMPACT POLYSTYRENE ON 1/2"	
WBI	WASHER BOX TRAP CONNECTION SIZES	DATEY	16070	FIRE RATED WASHER BOX SUPPLY & DRAIN, 8"x6" THERMOSET FIRE RATED PLASTIC W/ METAL SUPPORTS 2" P-TRAP, PROVIDE VACUUM BREAKERS & HOSE CONNECTION WASTE 2" VENT 1/2", H 9" ON 1/2"	



PLUMBING LEGEND	
	COLD WATER SUPPLY
	HOT WATER SUPPLY
	HOT WATER RETURN
	HOT WATER SUPPLY - 140°
	HOT WATER RETURN - 140°
	SANITARY SEWER
	GREASE WASTE
	NATURAL GAS
	LIQUID PROPANE
	VENT LINE
	CONDENSATE
	RAINWATER PIPING
	NITROGEN
	NITROUS OXIDE
	OXYGEN
	VACUUM
	AIR
	FILTERED WATER
	POINT OF CONNECTION TO EXISTING PLUMBING
	FLOOR DRAIN
	ROOF DRAIN
	WATER CLOSET CONNECTION
	FLOOR/GRADE CLEAN-OUT
	WALL CLEAN-OUT
	FIXTURE CONNECTION
	HOSE BIBB
	WATER HAMMER ARRESTOR

NOTE:
1. FOR CONNECTION SIZES AT FIXTURES, SEE PLUMBING FIXTURE SCHEDULE.

PIPING SYMBOLS	
	THREE WAY VALVE
	BALL VALVE
	BUTTERFLY VALVE
	GATE VALVE
	CHECK VALVE
	GAS COOK / PLUG VALVE
	GLOBE VALVE
	UNION
	CIRCUIT SETTER
	PRESSURE REGULATING VALVE
	PRESSURE RELIEF VALVE
	PIPE TURN DOWN
	PIPE TURN UP
	PIPE TEE DOWN
	PIPE TEE UP
	PIPE TRANSITION
	STRAINER
	CLEAN OUT

ABBREVIATIONS	
BV	BALL VALVE
CI	CAST IRON
CO	CLEAN OUT
CON	CONDENSATE
CW	COLD WATER
CHK. V	CHECK VALVE
EX	EXISTING
FD	FLOOR DRAIN
FS	FLOOR SINK
GW	GREASE WASTE
HB	HOSE BIBB/WALL HYDRANT
HW	HOT WATER
HWS	HOT WATER SUPPLY
HWR	HOT WATER RETURN
P1	FIXTURE NUMBER (SEE SCHEDULE)
SS	SANITARY SEWER
VS	VENT STACK
VT	VENT LINE
VTR	VENT THRU ROOF
VB	VACUUM BREAKER
WH	WATER HEATER
WS	WASTE STACK

PLUMBING NOTES:

- SANITARY WASTE AND VENT PIPING BOTH ABOVE AND BELOW GRADE SHALL BE SCHEDULE 40 PVC-DWV PLASTIC PIPE AND FITTINGS WITH SOLVENT WELD JOINTS. PLASTIC PIPING AND PIPING COMPONENTS SHALL BE LISTED AS CONFORMING WITH ANSIS/ASTM D-2665.
- UNLESS INDICATED OTHERWISE ON DRAWINGS, INTERNAL WATER PIPING IS TO BE ROUTED IN CEILING SPACES, ATTICS, CRAWL SPACES AND IN AND BETWEEN WALL STUDS, ETC. (AS AND WHERE APPLICABLE) AND ON INSIDE OF INSULATED BUILDING ENVELOPE. THIS PIPING SHALL BE TYPE "L" COPPER AND INSTALLED IN ACCORDANCE WITH 2018 INTERNATIONAL PLUMBING CODE. TYPE "X" (REHAU OR UPONOR) PEX IS PERMISSIBLE UPON OWNERS APPROVAL ONLY ON WATER LINES 2" AND SMALLER. WHERE PEX IS USED COLD AND HOT WATER MAINS SHALL BE TYPE L COPPER WITH BRANCH PIPING BEING PEX. WHERE PEX IS USED AS MAINS IN LIEU OF COPPER, PIPING SHALL BE A PIPE SIZE LARGER THAN WHAT IS SHOWN ON PLANS.
- ALL VENT PIPING TO PENETRATE ROOF A MINIMUM OF 12" ABOVE ROOF. FLASH AND SEAL TO ROOF WEATHERTIGHT. PAINT VENT PIPING ABOVE ROOF AND WITH 2 COATS EPOXY BASED PAINT, COLOR TO MATCH ROOF.
- CONTRACTOR SHALL INSPECT SITE AND BECOME FAMILIAR WITH EXISTING CONDITIONS WHICH MAY AFFECT WORK, INCLUDING VERIFICATION OF LOCATIONS AND RELATIONSHIP BETWEEN FIXTURES AND CONNECTIONS.
- PIPING PLACED IN TRENCHES SHALL BE EMBEDDED IN 6" OF LOOSE AGGREGATE FILL. TAMP FILL MATERIAL ON EACH SIDE IN 6" LAYERS. ALL PIPING UNDER SLAB SHALL HAVE A MINIMUM 1" COVER FROM BOTTOM OF SLAB TO TOP OF PIPE AT HIGH POINT. PROTECT PIPING FROM BEING CRUSHED OR OTHERWISE CONSTRUCTED.
- EACH SINK, WATER CLOSET, ETC. SHALL HAVE SHUT-OFF VALVES LOCATED AT THE FIXTURE.
- THE PLUMBING SYSTEM IN ITS ENTIRETY SHALL NOT BE COVERED UNTIL IT HAS BEEN INSPECTED, TESTED, AND APPROVED BY THE OWNER.
- PRIOR TO COVERING THE WATER SUPPLY SYSTEM, IT SHALL BE PRESSURE TESTED AND PROVED TIGHT UNDER A WATER PRESSURE NOT LESS THAN 25 P.S.I. ABOVE THE WORKING PRESSURE UNDER WHICH IT IS TO BE OPERATED. THIS TEST SHALL BE COMPLETED AND APPROVED IN THE PRESENCE OF THE OWNER.
- ALL SOLDERED JOINTS SHALL BE CLEANED BRIGHT AND ALL BURRS SHALL BE REMOVED AND THE SHALL BE RETURNED TO FULL BORE.
- ALL SOLDER AND FLUX USED IN THE INSTALLATION OR REPAIR OF THE WATER SUPPLY OR DISTRIBUTION SYSTEM SHALL BE LEAD FREE.
- ALL SOLDERED JOINT MATERIAL SUCH AS FITTINGS, SOLDER, TUBING SHALL BE APPROVED BY THE OWNER PRIOR TO INSTALLATION.
- ALL MATERIALS, METHODS, AND PRACTICES SHALL BE IN ACCORDANCE WITH THE 2018 INTERNATIONAL PLUMBING CODE.
- CONTRACTOR IS RESPONSIBLE FOR ALL REQUIRED FITTINGS TO CREATE A COMPLETE AND FUNCTIONAL PLUMBING SYSTEM. CONTRACTOR SHALL DETERMINE ANY FITTINGS REQUIRED FOR CONNECTION TO FIXTURES SPECIFIED.
- PROVIDE REMOVABLE PVC COVERS ON ALL EXPOSED SUPPLY AND WASTE FITTINGS TO COMPLY WITH ANSI STD. A117.1 REQUIREMENTS.
- CLEANOUTS:
 - INTERIOR FINISHED FLOOR AREAS (FOC) - LAQUERED CAST IRON BODY WITH ANCHOR FLANGE, REVERSIBLE CLAMPING COLLAR, THREADED TOP ASSEMBLY AND ROUND GASKETED DEPRESSSED COVER TO ACCEPT FLOOR FINISH.
 - INTERIOR FINISHED WALL AREAS (WOC) - LINE TYPE WITH LAQUERED CAST IRON BODY AND ROUND EPOXY COATED GASKET COVER, AND ROUND STAINLESS STEEL ACCESS COVER SECURED WITH MACHINE SCREW.
 - EXTERIOR UN-SURFACED AREAS - ROUND CAST NICKEL BRONZE ACCESS FRAME AND NON-SKID COVER.
 - EXTERIOR UN-SURFACED AREAS - LINE TYPE WITH LAQUERED CAST IRON BODY AND ROUND EPOXY COATED GASKET COVER.
- ALL HOT WATER PIPE ABOVE GRADE SHALL BE INSULATED WITH 1 1/2" FIBERGLASS, LOW PRESSURE INSULATION WITH WHITE UNIVERSAL JACKET. ALL COLD WATER PIPE ABOVE GRADE SHALL BE INSULATED WITH 1 1/2" FIBERGLASS, LOW PRESSURE INSULATION WITH WHITE UNIVERSAL JACKET. ALL INSULATION SHALL BE INSTALLED IN ACCORDANCE WITH MANUFACTURERS INSTRUCTIONS.
- ALL BALL CONTROL BALANCING VALVES WHICH ARE NOT READILY ACCESSIBLE VIA LAY-IN CEILING OR OPEN TO SPACE SHALL BE PROVIDED WITH AN ACCESSIBLE LOCKING PANEL EQUAL TO MFAB TYPE CAD-FL - ACCESS PANEL SHALL BE PAINTED TO MATCH CEILING OR WALL FINISH.
- ALL CONDENSATE PIPING SHALL BE INSULATED WITH 1" THICK ARIMA-FLEX INSULATION WITH GLED JOINTS, OR 1 1/2" THICK FIBERGLASS INSULATION WITH VAPOR BARRIER MASTIC WRAP.
- PROVIDE VACUUM BREAKERS WHERE ANY THREADED CONNECTIONS ARE PRESENT ON WATER SUPPLY LINE.
- WATER HAMMER ARRESTORS TO BE INSTALLED ON EQUIPMENT PER MANUFACTURER RECOMMENDATIONS.

ELECTRIC WATER HEATER SCHEDULE	
MARK	WH1
DESIGN MANUFACTURER	A.O. SMITH
MODEL NUMBER	ENT-50
GALLON CAPACITY	50
RECOVERY @ 90 DEG. F. RISE	21
HEATING CAP. (KW) - NON-SIMULTANEOUS	4.5
ELECTRICAL (VOLTS/Hz/PH)	240/60/1

NOTES:
1. ALTERNATIVE MANUFACTURERS: LOCHINVAR, A.O. SMITH, STATE IND.
2. UNITS SHALL BE ASME LISTED.

NTAC
The Architecture Collaborative
6700 BAUM DRIVE, SUITE 23 KNOXVILLE, TN 37919
www.lic-4-5.com 865.342.1705



ALL COPYRIGHTS RESERVED BY THE ARCHITECTURE COLLABORATIVE, LLC. THE ARCHITECTURE COLLABORATIVE, LLC AND ITS CONSULTANTS AND SUBCONSULTANTS ARE NOT BEING HELD RESPONSIBLE FOR ANY ERRORS OR OMISSIONS THAT MAY OCCUR IN THE DESIGN OR CONSTRUCTION OF THIS PROJECT. THE ARCHITECTURE COLLABORATIVE, LLC AND ITS CONSULTANTS AND SUBCONSULTANTS SHALL BE RESPONSIBLE FOR ANY ERRORS OR OMISSIONS THAT MAY OCCUR IN THE DESIGN OR CONSTRUCTION OF THIS PROJECT.

ALL COPYRIGHTS RESERVED BY THE ARCHITECTURE COLLABORATIVE, LLC. THE ARCHITECTURE COLLABORATIVE, LLC AND ITS CONSULTANTS AND SUBCONSULTANTS ARE NOT BEING HELD RESPONSIBLE FOR ANY ERRORS OR OMISSIONS THAT MAY OCCUR IN THE DESIGN OR CONSTRUCTION OF THIS PROJECT. THE ARCHITECTURE COLLABORATIVE, LLC AND ITS CONSULTANTS AND SUBCONSULTANTS SHALL BE RESPONSIBLE FOR ANY ERRORS OR OMISSIONS THAT MAY OCCUR IN THE DESIGN OR CONSTRUCTION OF THIS PROJECT.

HEAD HOMES
BEARD AVE
LEBANON, TN 37087

THIS DRAWING IS ISSUED FOR:
 REVIEW ONLY
 PERMITTING ONLY
 SCHEMATIC DESIGN
 DESIGN DEVELOPMENT
 CONSTRUCTION DOCUMENTS

Drawing Title:
PLUMBING NOTES & LEGENDS

Date: 07/13/2021

Comm. No. LEB-01

Revisions:

No.	Date
1	09/09/2021

FACILITY SYSTEMS CONSULTANTS, LLC
713 South Central Street, Suite 101
Knoxville, Tennessee 37902
Phone: (865) 246-0164
Fax: (865) 246-0184

Sheet No. P0.1

